

LUG TYPE BUTTERFLY VALVE

SPECIFICATION

FOR ANSI CLASS B16.1 FLANGE MOUNTING
FACE-TO-FACE DIMENSION TO ISO 5752 / BS 5155 / BS EN 593
LEVER / WORM GEAR OPERATOR

PRESSURE / TEMPERATURE RATINGS

Working Pressure	10 bar (PTFE seat) 16 bar (EPDM / NBR / VITON seat)
Testing Pressure	Shell: 1.5 times Seat: 1.1 times
Working Temperature	-4°F to 248°F (EPDM Seat) 14°F to 176°F (NBR Seat) 68°F to 221°F (PTFE seat) 32°F to 392°F (VITON seat)
Suitable Media	Water & Oil

MATERIALS

Part	Material	ASTM
Body	Stainless Steel 304 Stainless Steel 316	A351 CF8 A351 CF8M
Disc	Stainless Steel 304 Stainless Steel 316	A351 CF8 A351 CF8M
Seat Ring	EPDM NBR PTFE VITON	
Shaft	Stainless Steel 420 Stainless Steel 431	S42000 S43100
O-Ring	NBR	
Bushing	PTFE	

DIMENSIONS

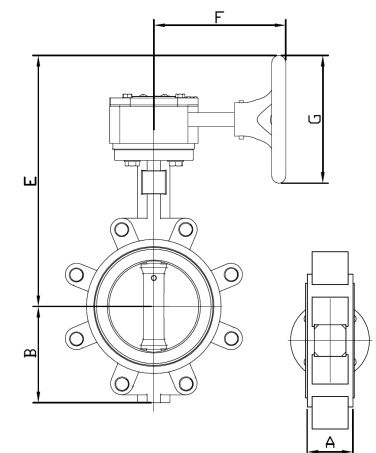
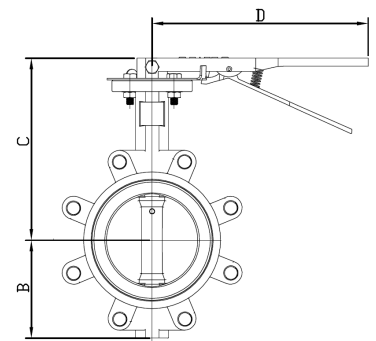
Unit: inch

Size	A	B	C	D	E	F	G
2	1.7	2.8	6.2	9.8	9.4	5.9	5.7
2½	1.8	3.0	6.6	9.8	9.8	5.9	5.7
3	1.8	3.7	6.8	9.8	10.0	5.9	5.7
4	2	4.2	8.2	9.8	11.4	5.9	5.7
5	2.2	4.8	8.6	9.8	11.8	5.9	5.7
6	2.2	5.5	9.8	9.8	12.9	5.9	5.7
8	2.4	6.6	10.8	14.8	16.7	8.1	11.0
10	2.7	8.0	12.7	14.8	18.5	8.1	11.0
12	3.1	9.4	13.7	14.8	19.5	8.1	11.0
14	3.1	10.6	-	-	22.0	8.1	11.0

SBFV-LA

Class 125

2"~14"



LUG TYPE BUTTERFLY VALVE

SPECIFICATION

FOR ANSI CLASS B16.1 FLANGE MOUNTING
FACE-TO-FACE DIMENSION TO ISO 5752 / BS 5155 / BS EN 593
DOUBLE-STAGE WORM GEAR OPERATOR

PRESSURE / TEMPERATURE RATINGS

Working Pressure	10 bar (PTFE seat) 16 bar (EPDM / NBR / VITON seat)
Testing Pressure	Shell: 1.5 times Seat: 1.1 times
Working Temperature	-4°F to 248°F (EPDM Seat) 14°F to 176°F (NBR Seat) 68°F to 221°F (PTFE seat) 32°F to 392°F (VITON seat)
Suitable Media	Water & Oil

DIMENSIONS

Unit: inch

Size	A	B	E	F	G
16	4.0	12.1	26.6	9.9	11.0
18	4.5	13.2	27.6	9.9	11.0
20	5.0	14.7	28.9	9.9	11.0
24	6.1	16.9	34.5	11.8	15.1

Note:

1. Actuator mounting flange conforms to ISO 5211 drilling.
2. The butterfly valve can be supplied with electric actuator.
3. Micro switch / limit switch box are available upon request.
4. Others flange standard available upon request.
5. Design and specifications are subject to change without prior notice.
6. Please consult us for your specific application.

SBFV-LA

Class 125

16"~24"

